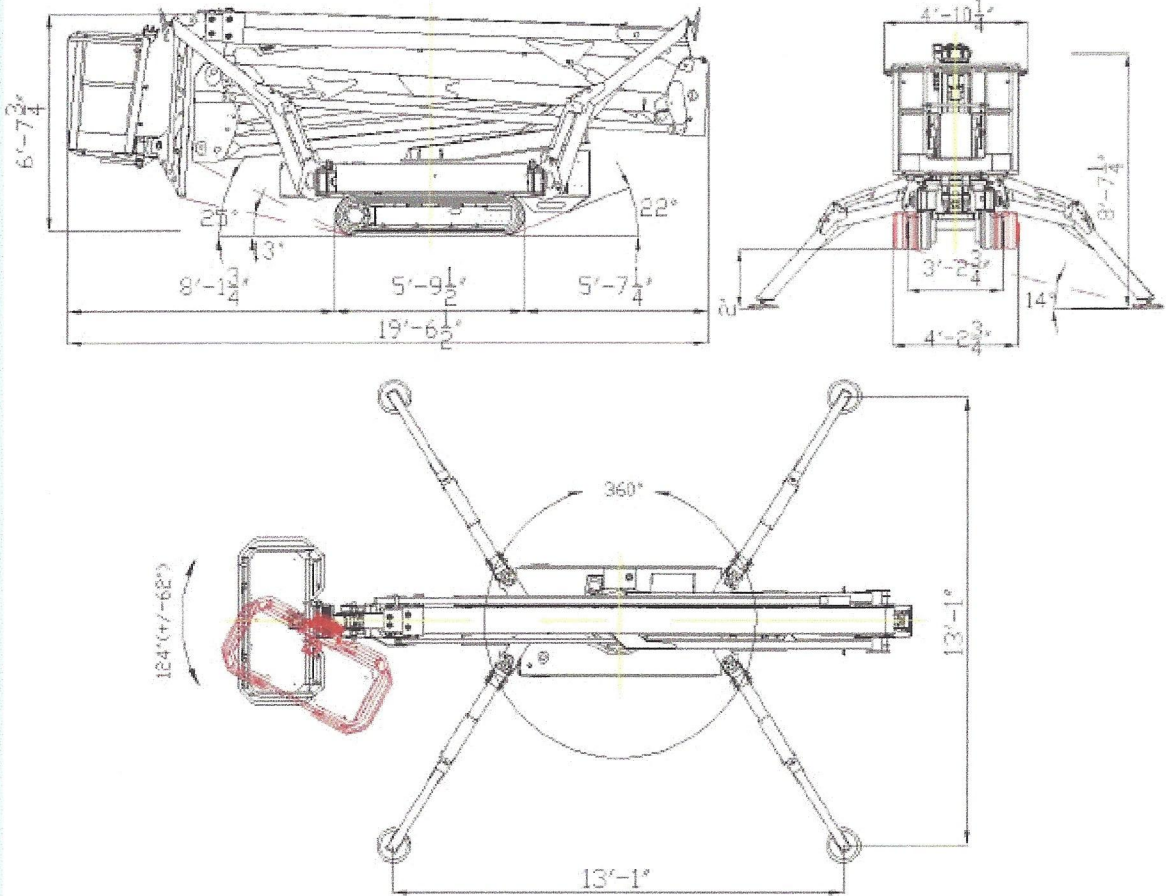


# LightLift LL76

## Reach Diagram



**High Access Solutions**  
 1901 McCleskey Ct.  
 Fort Worth, TX 76112  
 817-243-6800

www.WeReachHigh.com  
 info@WeReachHigh.com

## Technical Data

### Standard Features:

Basket rotation	124° (2*62°)
Turret rotation (non cont.)	360°
Jib type articulated joint	85°
Max stabilization inclination	13°
Gasoline Engine (LL76)	Honda iGX440 – 15HP
Electric system voltage	12V
Max travel speed	0.62mph
Max driving slope	24°
Max wind speed	27.96mph
Max manual force	89.9 pound-force

### Other Standard Features:

Emergency lowering system, air to the basket, 110V to the basket, Start and Stop of main motor from the basket, load limiting device, double block valve on the stabilizers, stabilization warning lights, widening undercarriage.

The information and data in this brochure are not considered binding without express confirmation by ReachMaster, Inc. and subject to change without notice

12.03.08

